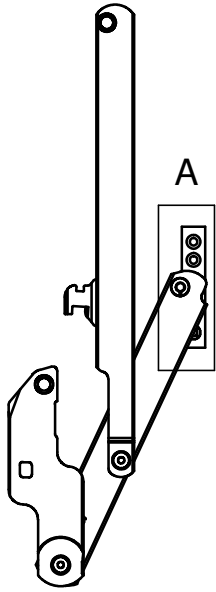
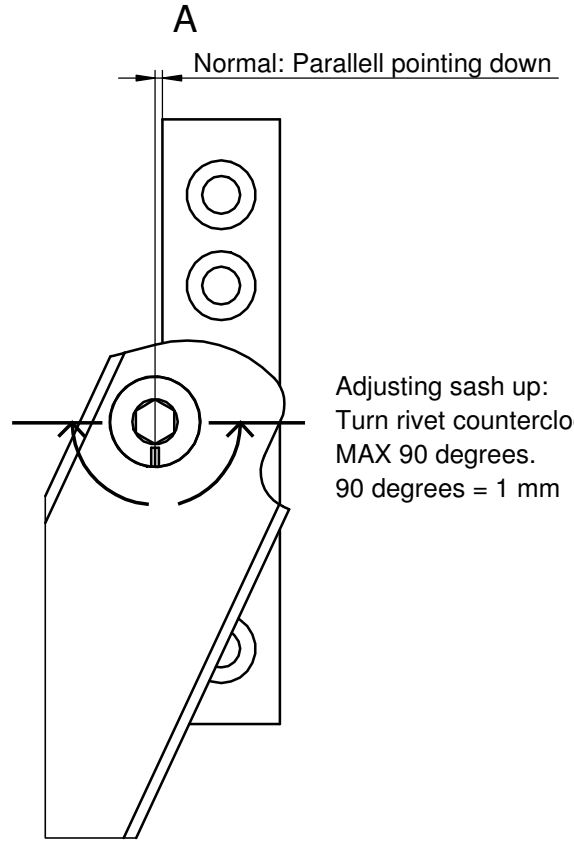


Adjustment of sash up/down

Left side hinge

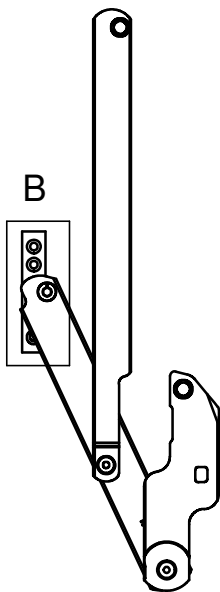


Adjusting sash down:
Turn rivet clockwise
MAX 90 degrees.
90 degrees = 1 mm

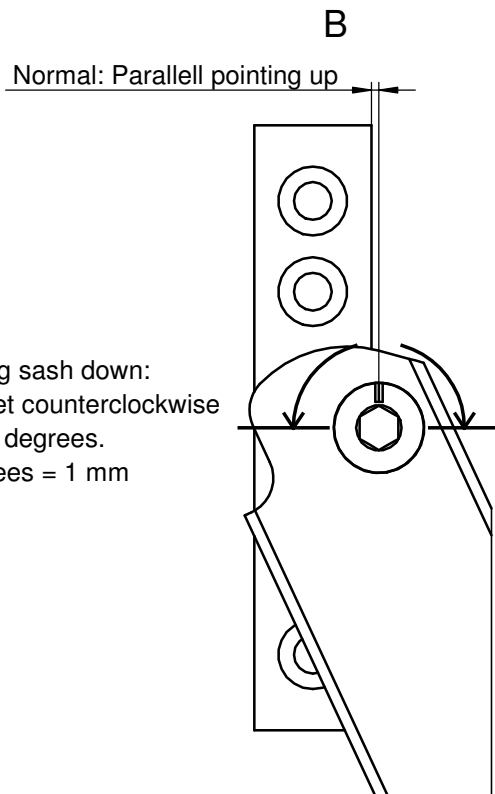


Adjusting sash up:
Turn rivet counterclockwise
MAX 90 degrees.
90 degrees = 1 mm

Right side hinge



Adjusting sash down:
Turn rivet counterclockwise
MAX 90 degrees.
90 degrees = 1 mm



Adjusting sash up:
Turn rivet clockwise
MAX 90 degrees.
90 degrees = 1 mm